

vibro-meter®

IPC707 signal conditioner



KEY FEATURES AND BENEFITS

- From the vibro-meter® product line
- For CAxxx piezoelectric accelerometers and CPxxx dynamic pressure sensors
- Configurable high-pass and low-pass filters (independent of transfer function)
- Frequency range: 0.5 Hz to 20 kHz
- Optional integrator to produce a velocity output
- pC to µA transfer function for current-signal transmission over longer distances
- pC to mV transfer function for voltage-signal transmission over shorter distances
- Certified for use in potentially explosive atmospheres
- Optional diagnostic circuitry to detect sensor, cabling and/or signal conditioner problems
- Suitable for use in functional safety contexts: SIL 2 in accordance with IEC 61508 and PL c Cat 1 in accordance with ISO 13849
- Removable screw-terminal connectors
- DIN-rail mounting

Contact us:
Unit 402, 4th floor, No. 42, Sharifi St., Jordan St., Tehran, Iran
Tel: 0098-2188779847-Fax 0098-2188779514
www.setc.ir-info@setc.ir
Mob:00989123840728

APPLICATIONS

- Vibration measurement chains using CAxxx piezoelectric accelerometers
- Pressure measurement chains using CPxxx piezoelectric pressure sensors
- Safety-related applications

DESCRIPTION

The IPC707 is a signal conditioner from Parker Meggitt's vibro-meter® product line. It is designed for operation with sensors containing a piezoelectric sensing element that provide a charge output and require an external signal conditioner (charge amplifier).

The IPC707 signal conditioner is a versatile and highly configurable device that converts and processes the charge-based signal from a piezoelectric-based sensor into a current output or a voltage output signal, suitable for transmission to a monitoring system via a standard current (2-wire) or voltage (3-wire) transmission cable.

The IPC707 is designed for operation with vibration measurement chains using CAxxx piezoelectric accelerometers and pressure measurement chains using CPxxx dynamic pressure sensors. It can also be



Information contained in this document may be subject to export control regulations of the European Union, USA or other countries. Each recipient of this document is responsible for ensuring that the transfer or use of any information contained in this document complies with all relevant export control regulations. ECN N/A.

DESCRIPTION (*continued*)

used with other piezoelectric-based sensors and cabling assemblies that meet the required input characteristics.

Note: The installation of a CAxxx or CPxxx measurement chain using an IPC707 signal conditioner configured with a current output and a GSI127 galvanic separation unit, allows transmission over distances up to 1 km – longer than any other solution.

As shown in the Block diagram on page 3, the IPC707 signal conditioner includes RFI filters to protect the input and output against radio-frequency and other electromagnetic interference (EMI), optional hazardous area protection, a differential (symmetrical) charge amplifier, configurable high-pass (HP) and low-pass (LP) filters, an optional integrator to give a velocity output, a configurable amplifier and a configurable output stage to provide a current output or a voltage output, as required. Optionally, the IPC707 signal conditioner includes diagnostic circuitry (that is, built-in test equipment (BITE)) that is used to indicate problems with a measurement chain consisting of a sensor, cabling and the IPC707 signal conditioner.

The output signal from the IPC707 is an analogue signal consisting of a dynamic measurement component (AC) on a quasi-static diagnostic component (DC). When the optional diagnostics are used, the nominal value of the diagnostic component (DC) is one value to indicate normal operation, and other values to indicate problems with the sensor and/or cabling, or the signal conditioner itself. The machinery protection and/or condition monitoring system connected to the IPC707 can monitor the nominal value and provide an alarm to indicate a problem (non-normal operation).

An IPC707 signal conditioner with optional diagnostics continuously monitors the status of the measurement chain, which allows operators to always know the status of their machinery monitoring system – automatically and remotely. In this way, the diagnostics helps to ensure that machinery is operated safely and reliably, extending its life and reducing costs. Importantly, the diagnostics also make the IPC707 suitable for use in functional safety contexts, such as SIL 2 in accordance with IEC 61508 and PL c Cat 1 in accordance with ISO 13849.

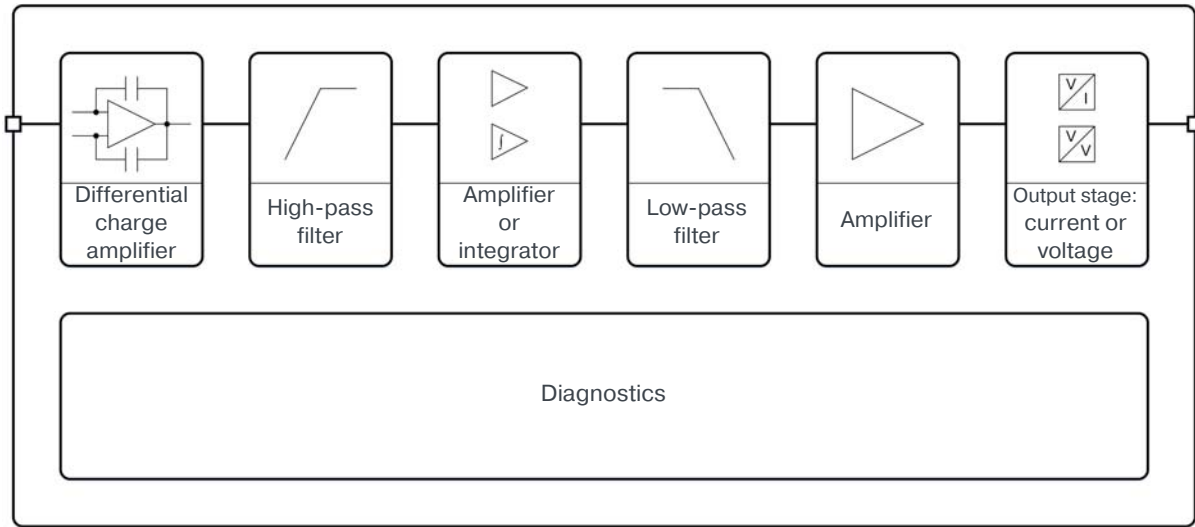
The electronic circuitry of the IPC707 signal conditioner is incorporated in a moulded aluminium housing. The IPC707 can be installed using screws through the mounting holes in the body of the housing (same dimensions as an IPC704) or it can be mounted on a DIN rail using the optional DIN-rail mounting adaptor. The IPC707 housing also features removable screw-terminal connectors that can unplugged from the main body of the housing to simplify installation and mounting. For applications that require additional environmental protection against dust, oil and/or water, the IPC707 can also be installed in an ABA17x industrial housing.

The IPC707 signal conditioner is compatible with different piezoelectric materials and replaces the previous versions of the IPC704 signal conditioner (PNR 244-704-000-xxx).

For specific applications, contact your local Parker Meggitt representative.

*Contact us:
Unit 402, 4th floor, No. 42, Sharifi St., Jordan St., Tehran, Iran
Tel: 0098-2188779847-Fax 0098-2188779514
www.setc.ir-info@setc.ir
Mob:00989123840728*

BLOCK DIAGRAM



SPECIFICATIONS

Environmental

General

Temperature

• Operating and storage : -40 to 85°C (-40 to 185°F)

Humidity : 95% max. non-condensing

Protection rating : IP40.

(according to IEC 60529) Note: The IPC707 is suitable for indoor use only unless it is installed in an industrial housing or enclosure that ensures a higher level of environmental protection.

Chemical resistance : Suitable for environments containing trace levels of chemicals such as hydrogen sulfide or ammonia

Flammability : UL94 V-0

Vibration : 5 g peak above resonant frequency and 0.35 mm peak below (according to IEC 60068-2-6) (10 to 500 Hz, 6 hours/axis)

Shock acceleration : 15 g peak (according to IEC 60068-2-27) (half-sine wave, 11 ms duration, 9 shocks/axis)

Altitude : 4000 m (13 100 ft) max.
Note: Reduced air density affects cooling ability.

Contact us:

Unit 402, 4th floor, No. 42, Sharifi St., Jordan St., Tehran, Iran

Tel: 0098-2188779847-Fax 0098-2188779514



www.setc.ir-info@setc.ir

Mob:00989123840728

SPECIFICATIONS *(continued)*

Potentially explosive atmospheres



Available in Ex approved versions for use in hazardous areas

Type of protection Ex ia: intrinsic safety (ordering option code A2)		
Europe	EU type examination certificate	 II 1 G (Zones 0, 1, 2) Ex ia IIC T6...T4 Ga LCIE 18 ATEX 3026 X
International	IECEx certificate of conformity	Ex ia IIC T6...T4 Ga IECEx LCIE 18.0023X
North America	cCSAus certificate	Class I, Division 1, Groups A, B, C and D T6...T4 Ex ia IIC T6...T4 Ga Class I, Zone 0 AEx ia IIC T6...T4 Ga cCSAus 70198728
South Korea	KGS certificate of conformity*	Ex ia IIC T6...T4 KGS 18-GA4BO-0549X
United Kingdom	Type examination certificate *	 II 1 G Ex ia IIC T6...T4 Ga CML 21 UKEX 2543 X
Russian Federation	EAЭC RU certificate of conformity*	0Ex ia IIC T6...T4 Ga EAЭC RU C-CH.AД07.B.04681/22
Brazil	INMETRO certificate of conformity*	Ex ia IIC T6...T4 Ga INMETRO BVC20.3861-X
China	CNEx CCC Ex certificate*	Ex ia IIC T6/T5/T4 Ga 2022312310000425

*Not engraved/marked on all versions of the product.


Contact us:
 Unit 402, 4th floor, No. 42, Sharifi St., Jordan St., Tehran, Iran
 Tel: 0098-2188779847-Fax 0098-2188779514
www.setc.ir-info@setc.ir
 Mob:00989123840728

SPECIFICATIONS *(continued)*

Type of protection Ex ec: increased safety, Ex nA: non-sparking (ordering option code A3)		
Europe	Type examination certificate	 II 3G (Zone 2) Ex ec IIC T6...T4 Gc LCIE 18 ATEX 1012 X
International	IECEX certificate of conformity	Ex ec IIC T6...T4 Gc IECEX LCIE 18.0023X
North America	cCSAus certificate	Class I, Division 2, Groups A, B, C and D T6...T4 Ex ec IIC T6...T4 Gc Class I, Zone 2 AEx ec IIC T6...T4 Gc cCSAus 70198728
South Korea	KGS certificate of conformity	Ex nA IIC T6...T4 KGS 18-GA4BO-0548X
United Kingdom	Type examination certificate	 II 3 G Ex ec IIC T6...T4 Gc CML 21 UKEX 4544 X
Russian Federation	EAЭC RU certificate of conformity	2Ex ec IIC T6...T4 Gc EAЭC RU C-CH.AД07.B.04681/22
Brazil	INMETRO certificate of conformity	Ex ec IIC T6...T4 Gc INMETRO BVC20.3861-X
China	CNEx CCC Ex certificate	Ex ec IIC T6/T5/T4 Gc 2022312310000425

*Not engraved/marked on all versions of the product.

 **For specific parameters of the mode of protection concerned and special conditions for safe use, refer to the Ex certificates that are available from Parker Meggitt.**

 **When using protection mode “Ex ec” (increased safety) or “Ex nA” (non-sparking), the user must ensure that the IPC707 is installed in an industrial housing or enclosure that ensures a protection rating of at least IP54 (or equivalent).**

 **For the most recent information on the Ex certifications that are applicable to this product, refer to the *Ex product register (PL-1511)* document that is available from Parker Meggitt.**

Approvals

Conformity	: European Union (EU) declaration of conformity (CE marking). United Kingdom (UKCA) declaration of conformity.
Electromagnetic compatibility (EMC)	: EMC compliant (2014/30/EU): EN 61000-6-2:2005. EN 61326-1:2013. EN 61326-3-2:2008 (SIL).
Electrical safety	: EN 61010-1:2010
Environmental management	: RoHS compliant (2011/65/EU)
Hazardous areas	: Ex approved versions (see Potentially explosive atmospheres on page 4)
Functional safety	: SIL 2 in accordance with IEC 61508. PL c Cat 1 in accordance with ISO 13849.

SPECIFICATIONS (continued)

Power supply (to IPC707)

Input voltage range : $24 V_{DC} \pm 25\%$ (18 to $30 V_{DC}$)
 Current consumption : 20 mA max.
 (with nominal $24 V_{DC}$ supply)

Note: The IPC707 should be powered (energised) using a low-voltage power supply such as a sensor power supply output provided a VM600 or VibroSmart[®] monitoring and/or protection system, a GSI127 galvanic separation unit or other suitable power supply.
 In safety-related applications, an IPC707 must be powered using a power supply with a safe limitation of $40 V_{DC}$, even in the event of a single fault with the power supply.

Transfer function (ordering option codes C and D)

Transfer sensitivity

- Standard values without integrator : 0.1, 0.2, 0.5, 1, 2, 5, 10, 20 and $50 \mu A/pC$ or mV/pC
- Standard values with integrator : 981, 1962, 4905, 9810, 19620, 49050 and $98100 \mu A/pC \cdot s$ or $mV/pC \cdot s$
- Non-standard values without integrator : 0.1 to $110 \mu A/pC$ or mV/pC
- Non-standard values with integrator : 981 to $98100 \mu A/pC \cdot s$ or $mV/pC \cdot s$

Note: For further information on transfer sensitivity values, see Transfer sensitivities (ordering option code C) on page 9 and Ordering information on page 13.

Accuracy (at ambient temperature)

- Without integrator : $\pm 2\%$
- With integrator : $\pm 3\%$

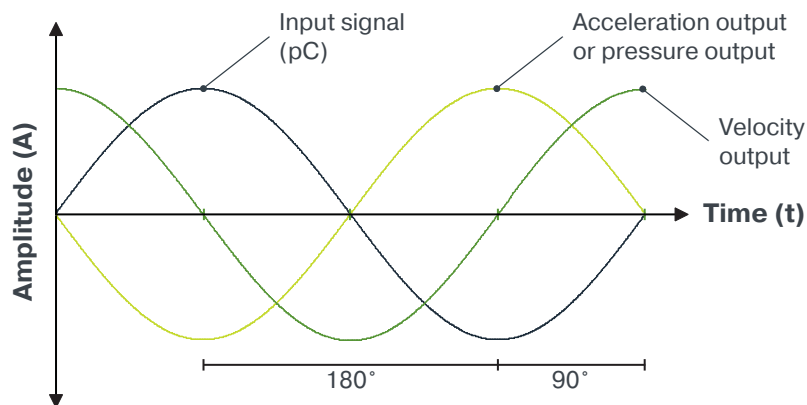
Linearity error (INL) : $< 0.2\%$

Temperature stability (over whole temperature range)

- Without integrator : $< 100 \text{ ppm}/^\circ\text{C}$ typical
- With integrator : $< 150 \text{ ppm}/^\circ\text{C}$ typical

Phase

- Without integrator : 180° between the input signal and an acceleration output.
 180° between the input signal and a pressure output.
- With integrator : 270° between the input signal and a velocity output.
 (That is, 90° between acceleration and velocity outputs.)



Contact us:
 Unit 402, 4th floor, No. 42, Sharifi St., Jordan St., Tehran, Iran
 Tel: 0098-2188779847-Fax 0098-2188779514
www.setc.ir
 Mob:00989123840728

SPECIFICATIONS *(continued)*

Input characteristics

RFI filter	: Symmetrical LC network
Charge amplifier	: Differential (symmetrical)
Dynamic range	
• < 10 kHz	: 50000 pC
• 10 to 20 kHz	: 25000 pC
Insulation resistance (sensor and cabling)	: > 20 k Ω . Note: This is the minimum insulation resistance between HI (IN+) and LO (IN-) that is required by the optional diagnostics.
Capacitance (sensor and cabling)	: < 15 nF. Note: This is the maximum capacitance between HI (IN+) and LO (IN-) that is allowed by the optional diagnostics.
Serial resistance (cabling)	: < 100 Ω (2 x 50 Ω) when capacitance (sensor and cabling) is > 10 and \leq 15 nF. < 200 Ω (2 x 100 Ω) when capacitance (sensor and cabling) is > 5 and \leq 10 nF. < 500 Ω (2 x 250 Ω) when capacitance (sensor and cabling) is \leq 5 nF. Note: This is the maximum serial resistance of the HI (IN+) and the LO (IN-) cabling that is allowed by the optional diagnostics.
Connection resistance (cabling)	: < 100 m Ω . Note: This is the maximum connection resistance between the shield of the cabling and the shield of the IPC707 (SHD) that is allowed by the optional diagnostics.

Note: The cabling consists of the cables and connectors between the sensor and the IPC707 which can be any combination of integral and/or external cables, such as mineral-insulated (MI) cables and/or low-noise cables.

Compatible sensors	: Any piezoelectric-based sensor with a symmetrical (differential) signal, whether case grounded or insulated. Vibration measurement chains using CAxxx piezoelectric accelerometers and pressure measurement chains using CPxxx dynamic pressure sensors are compatible. Refer to the <i>Vibration measurement chains using CAxxx piezoelectric accelerometers installation manual</i> or the <i>Pressure measurement chains using CPxxx piezoelectric pressure sensors installation manual</i> , as appropriate, for further information. In addition, use of the optional diagnostics requires that the sensor, the cabling and the complete measurement chain meet specific electrical requirements, including the input characteristics specified above. Refer to the <i>IPC707 signal conditioner safety manual</i> for further information.
--------------------	--

Contact us:
Unit 402, 4th floor, No. 42, Sharifi St., Jordan St., Tehran, Iran
Tel: 0098-2188779847-Fax 0098-2188779514
www.setc.ir-info@setc.ir
Mob:00989123840728

SPECIFICATIONS *(continued)*

Output characteristics

General


RFI filter : Symmetrical LC network

Current output (2-wire transmission)

Dynamic signal (AC) : ± 5 mA peak (max.)
 Dynamic range (max.) : 5 mA peak / output sensitivity
 Output sensitivity : See Ordering information on page 13
 Nominal output signal (DC)
 • Without diagnostics : $12 \text{ mA}_{\text{DC}} \pm 0.2 \text{ mA}_{\text{DC}}$
 • With diagnostics : $13 \text{ mA}_{\text{DC}} \pm 0.2 \text{ mA}_{\text{DC}}$ indicates normal operation.
 $11 \text{ mA}_{\text{DC}} \pm 0.2 \text{ mA}_{\text{DC}}$ indicates a problem with the sensor and/or cabling.
 $10 \text{ mA}_{\text{DC}} \pm 0.2 \text{ mA}_{\text{DC}}$ indicates a problem with the signal conditioner.
 $< 8 \text{ mA}_{\text{DC}}$ indicates another problem with the measurement chain or power supply.
 Other current values indicate other problems with the signal conditioner not detected by the diagnostics.
 Output impedance : $> 60 \text{ k}\Omega$

Voltage output (3-wire transmission)

Dynamic signal (AC) : ± 5 V peak (max.)
 Dynamic range (max.) : 5 V peak / output sensitivity
 Output sensitivity : See Ordering information on page 13
 Nominal output signal (DC)
 • Without diagnostics : $7.0 \text{ V}_{\text{DC}} \pm 0.2 \text{ V}_{\text{DC}}$
 • With diagnostics : $8.0 \text{ V}_{\text{DC}} \pm 0.2 \text{ V}_{\text{DC}}$ indicates normal operation.
 $6.0 \text{ V}_{\text{DC}} \pm 0.2 \text{ V}_{\text{DC}}$ indicates a problem with the sensor and/or cabling.
 $5.0 \text{ V}_{\text{DC}} \pm 0.2 \text{ V}_{\text{DC}}$ indicates a problem with the signal conditioner.
 $< 3.0 \text{ V}_{\text{DC}}$ indicates another problem with the measurement chain or power supply.
 Other voltage values indicate other problems with the signal conditioner not detected by the diagnostics.
 Output impedance : $< 500 \Omega$

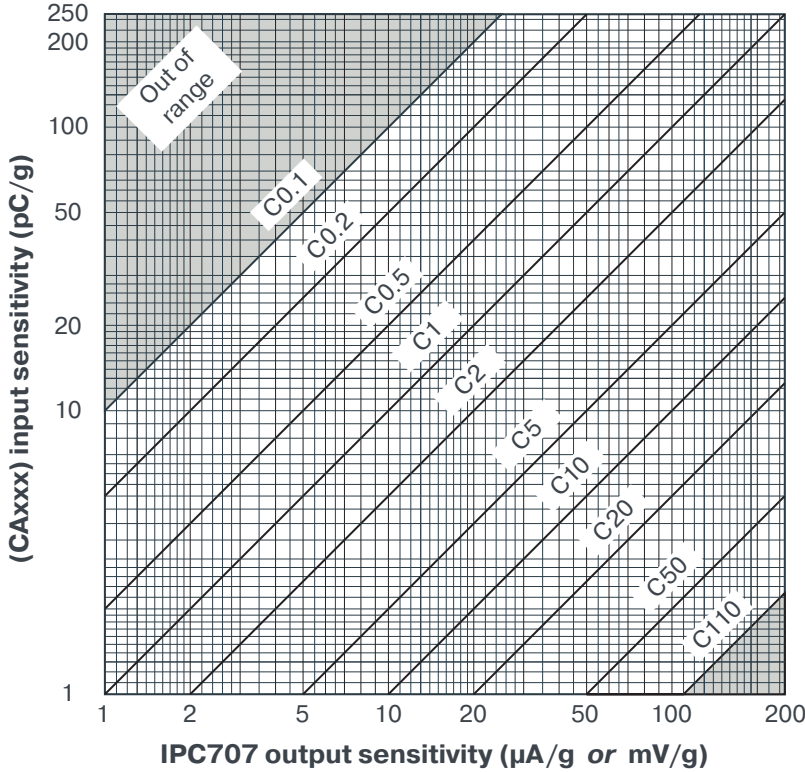
 **The use of a GSI127 galvanic separation unit is strongly recommended for applications/installations that are likely to be affected by frame voltage.**
CPxxx dynamic pressure sensors should always be used with a GSI127 galvanic separation unit.

Contact us:
 Unit 402, 4th floor, No. 42, Sharifi St., Jordan St., Tehran, Iran
 Tel: 0098-2188779847-Fax 0098-2188779514
 www.setc.ir-info@setc.ir
 Mob:00989123840728

SPECIFICATIONS (continued)

Transfer sensitivities (ordering option code C)

IPC707 with acceleration output (ordering option codes D1 and D2) – for CAxxx accelerometers



Notes

This chart (left) shows the standard transfer sensitivity values (Cx) without integrator.

To configure an IPC707 with an acceleration output in g, transfer sensitivity (trans sens (C)) is calculated as follows.

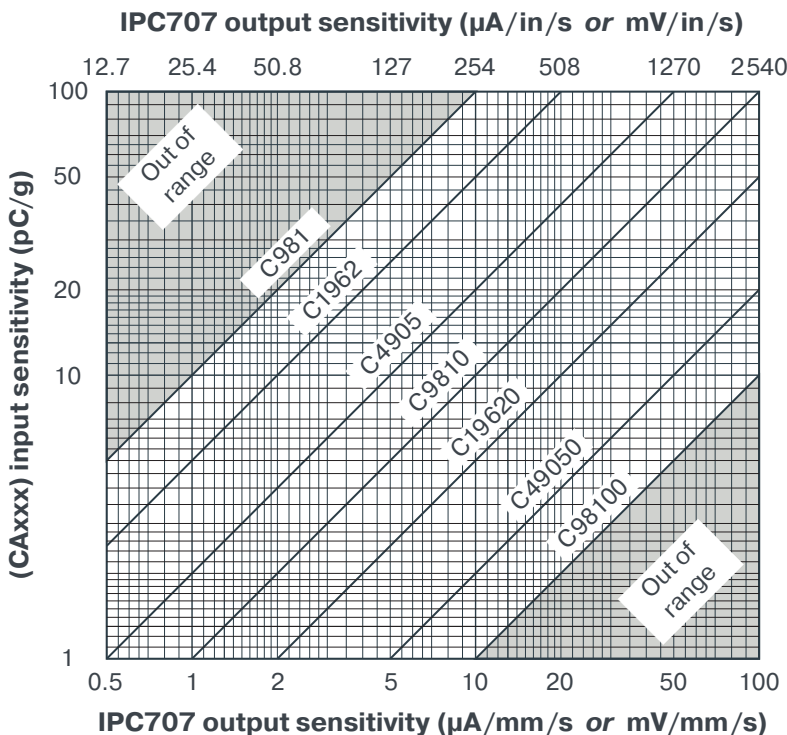
D1 current output (µA/pC):

$$Trans\ sens\ (C) = \frac{(out\ sens\ (\mu A/g))}{(in\ sens\ (pC/g))}$$

D2 voltage output (mV/pC):

$$Trans\ sens\ (C) = \frac{(out\ sens\ (mV/g))}{(in\ sens\ (pC/g))}$$

IPC707 with velocity output (ordering option codes D3 and D4) – for CAxxx accelerometers



Notes

This chart (left) shows the standard transfer sensitivity values (Cx) with integrator.

To configure an IPC707 with a velocity output in mm/s, transfer sensitivity (trans sens (C)) is calculated as follows.

D3 current output (µA/pC·s):

$$Trans\ sens\ (C) = \frac{(out\ sens\ (\mu A/mm/s) \times 9810)}{(in\ sens\ (pC/g))}$$

D4 voltage output (mV/pC·s):

$$Trans\ sens\ (C) = \frac{(out\ sens\ (mV/mm/s) \times 9810)}{(in\ sens\ (pC/g))}$$

To configure an IPC707 with a velocity output in in/s, transfer sensitivity (trans sens (C)) is calculated as follows.

D3 current output (µA/pC·s):

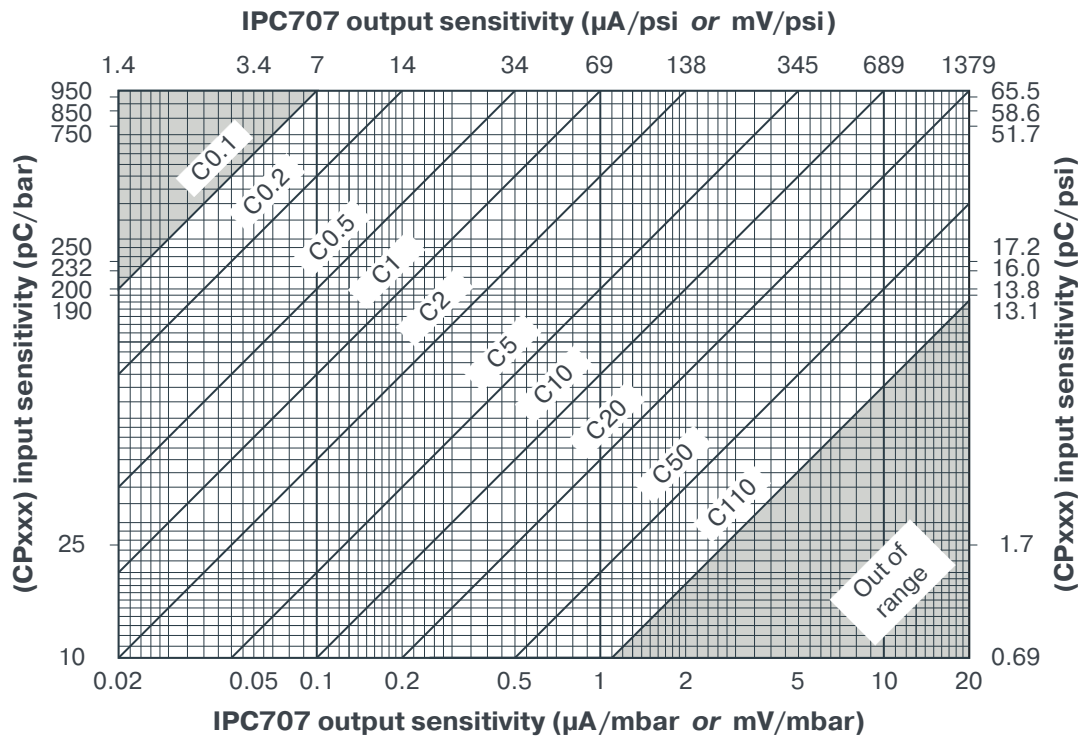
$$Trans\ sens\ (C) = \frac{(out\ sens\ (\mu A/in/s) \times 9810)}{(in\ sens\ (pC/g) \times 25.4)}$$

D4 voltage output (mV/pC·s):

$$Trans\ sens\ (C) = \frac{(out\ sens\ (mV/in/s) \times 9810)}{(in\ sens\ (pC/g) \times 25.4)}$$

SPECIFICATIONS (continued)

IPC707 with pressure output (ordering option codes D1 and D2) – for CPxxx dynamic pressure sensors



Notes

This chart (above) shows the standard transfer sensitivity values (Cx) without integrator.

To configure an IPC707 with a pressure output in mbar, transfer sensitivity (trans sens (C)) is calculated as follows.

D1 current output (µA/pC):

$$\text{Trans sens (C)} = \frac{(\text{out sens } (\mu\text{A/mbar}) \times 1000)}{(\text{in sens } (\text{pC/bar}))}$$

D2 voltage output (mV/pC):

$$\text{Trans sens (C)} = \frac{(\text{out sens } (\text{mV/mbar}) \times 1000)}{(\text{in sens } (\text{pC/bar}))}$$

To configure an IPC707 with a pressure output in psi, transfer sensitivity (trans sens (C)) is calculated as follows.

D1 current output (µA/pC):

$$\text{Trans sens (C)} = \frac{(\text{out sens } (\mu\text{A/psi}))}{(\text{in sens } (\text{pC/psi}))}$$

D2 voltage output (mV/pC):

$$\text{Trans sens (C)} = \frac{(\text{out sens } (\text{mV/psi}))}{(\text{in sens } (\text{pC/psi}))}$$

Note: For further information on transfer sensitivity values, see Transfer function (ordering option codes C and D) on page 6 and Ordering information on page 13. Contact Parker Meggitt for information on non-standard values.

Contact us:

Unit 402, 4th floor, No. 42, Sharifi St., Jordan St., Tehran, Iran

Tel: 0098-2188779847-Fax 0098-2188779514

www.setc.ir-info@setc.ir

Mob:00989123840728

SPECIFICATIONS *(continued)*

Filter characteristics

High-pass filter (ordering option code E)

Type	: 3 rd order Butterworth high-pass (HP) filter
Cutoff frequency (–3 dB)	
• Standard values without diagnostics	: 0.5, 1, 2, 5, 10 or 20 Hz
• Standard values with diagnostics	: 1, 2, 5, 10 or 20 Hz
• Non-standard values without diagnostics	: 0.5 to 110 Hz
• Non-standard values with diagnostics	: 1 to 110 Hz
	Contact Parker Meggitt for information on non-standard values.
Slope	: –60 dB/decade (–18 dB/octave) min.
Accuracy	
• < 5 Hz	: For a high-pass filter < 5 Hz, the cutoff frequency (–3 dB) has an accuracy of ±20% over the whole temperature range
• ≥ 5 Hz	: For a high-pass filter ≥ 5 Hz, the filter attenuation is compliant with the ISO 2954 standard over the whole temperature range

Note: The IPC707 high-pass filter is not affected by the transfer function and can be configured independently.

Low-pass filter (ordering option code F)

Type	: 3 rd order Butterworth low-pass (LP) filter
Cutoff frequency (–3 dB)	
• Standard values	: 500, 1000, 2000, 5000, 10000 or 20000 Hz
• Non-standard values	: 200 to 20000 Hz
	Contact Parker Meggitt for information on non-standard values.
Slope	: –60 dB/decade (–18 dB/octave) min.
Accuracy	
• > 2000 Hz	: For a low-pass filter > 2000 Hz, the cutoff frequency (–3 dB) has an accuracy of ±10% over the whole temperature range
• ≤ 2000 Hz	: For a low-pass filter ≤ 2000 Hz, the filter attenuation is compliant with the ISO 2954 standard over the whole temperature range

Connectors

Screw-terminal connector (input)	: 4 contacts for sensor-side signals
Screw-terminal connector (output)	: 4 contacts for monitor-side signals
Electrical connections	
• IEC	: 320 V / 17.5 A / 0.2 to 1.5 mm ²
• UL	: 300 V / 10 A / 28 to 16 AWG
• Clamping range (min. to max.)	: 0.2 to 1.5 mm ² (28 to 16 AWG)
• Tightening torque (min. to max.)	: 0.2 to 0.25 N·m (0.15 to 0.18 lb-ft) for conductor screws. 0.2 to 0.3 N·m (0.15 to 0.22 lb-ft) for mounting-flange screws.

Note: The IPC707 features removal screw-terminal connectors that can unplugged from the main body of its housing to simplify installation and mounting.

Contact us:

Unit 402, 4th floor, No. 42, Sharifi St., Jordan St., Tehran, Iran

Tel: 0098-2188779847-Fax 0098-2188779514

www.setc.ir-info@setc.ir

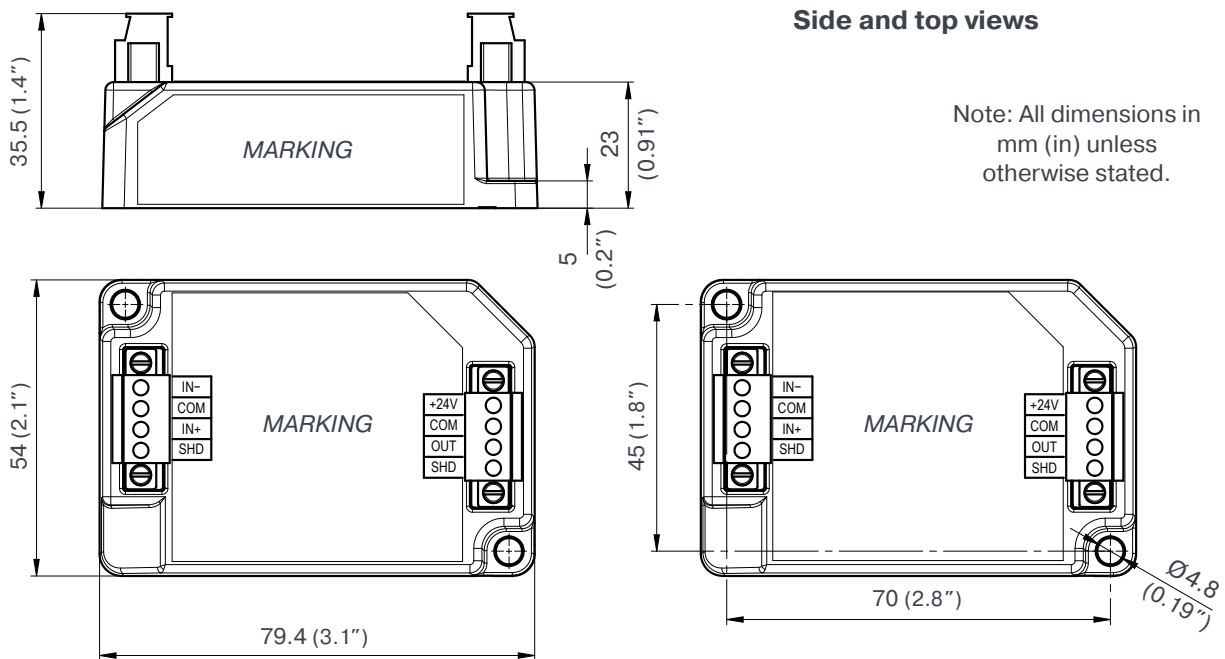
Mob:00989123840728

SPECIFICATIONS *(continued)*

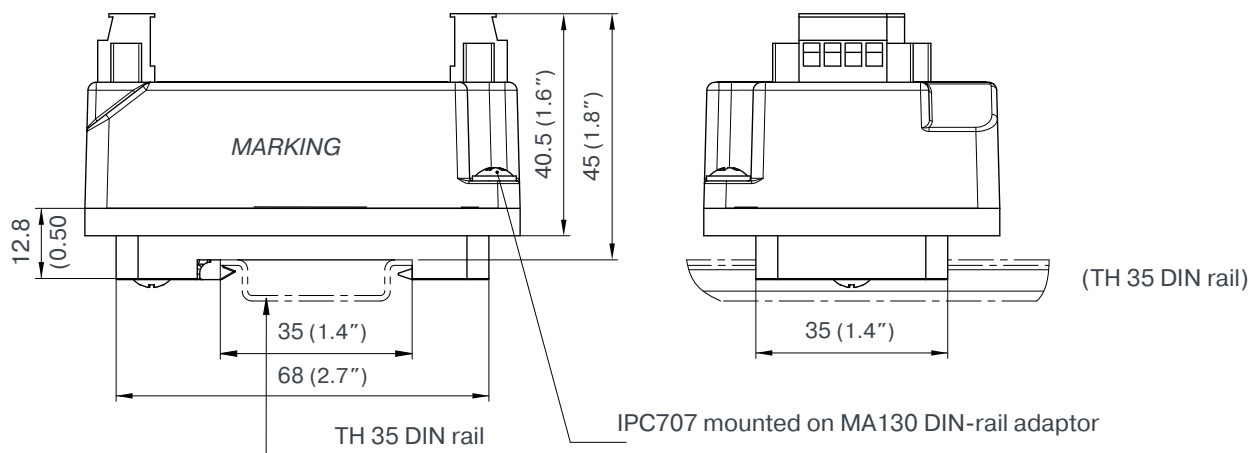
Physical

Electrical connections	: Removable screw-terminal connectors (see Connectors on page 11)
Housing material	: Injection-moulded aluminium, painted
Dimensions	: See Mechanical drawings on page 12
Weight	: 175 g (0.39 lb) approx.
Mounting	
• Without DIN-rail mounting adaptor	: Two M4 screws
• With DIN-rail mounting adaptor (ordering option code G2)	: MA130 DIN-rail mounting adaptor for IPC707 (and IQS9xx) signal conditioners. Suitable for TH 35 DIN rails (according to EN 50022 / IEC 60715). For example, TH 35-7.5 or TH 35-15. See Accessories on page 14.

MECHANICAL DRAWINGS



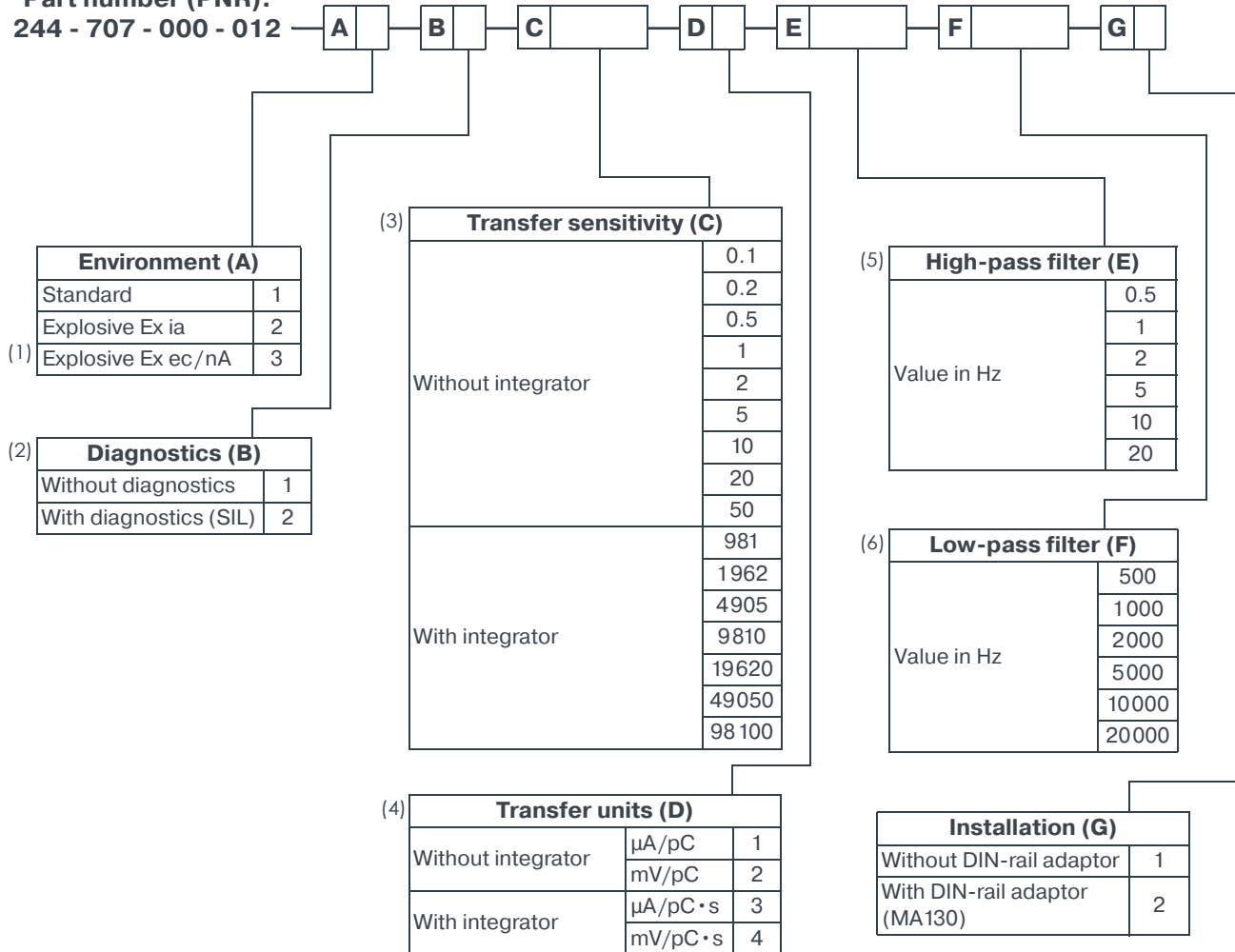
Side and end views with DIN-rail mounting adaptor (ordering option code G2)



ORDERING INFORMATION

Part number (PNR):

244 - 707 - 000 - 012



Notes

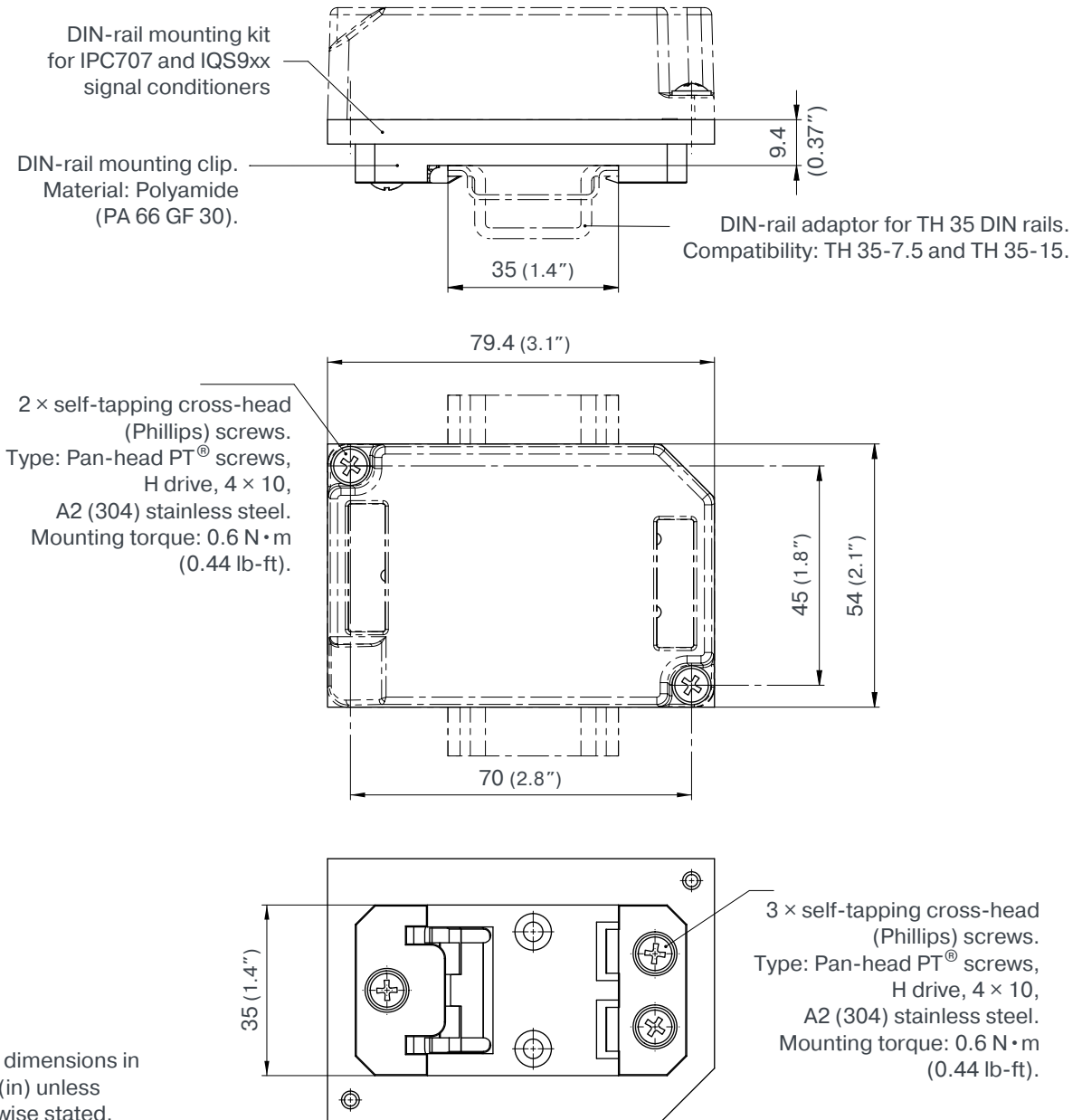
- With ordering option code A3 ("Ex ec" or "Ex nA"), the user must ensure that the IPC707 signal conditioner is installed in an industrial housing or enclosure that ensures a protection rating of at least IP54 (or equivalent), such as an ABA17x industrial housing.
 - Ordering option code B specifies an IPC707 signal conditioner either without diagnostics (B1) or with diagnostics (B2):
 - An IPC707 signal conditioner without diagnostics (B1) is similar to the IPC704, which it replaces. The IPC707 is a form, fit and functionally equivalent replacement that matches or betters the measurement specifications of the IPC704.
 - An IPC707 signal conditioner with diagnostics (B2) includes optional diagnostic circuitry that automatically detects and remotely indicates problems with the measurement chain (sensor, cabling and/or the IPC707 itself). An IPC707 with diagnostics is certified SIL 2 (IEC 61508) and PL c Cat 1 (ISO 13849) "by design" to more easily meet the requirements of safety-related applications.
 - Ordering option code C specifies the sensitivity of the IPC707's transfer function. For further information on permitted transfer sensitivity values (Cx), see Transfer function (ordering option codes C and D) on page 6 and Transfer sensitivities (ordering option code C) on page 9. Ordering option code C is limited to a maximum of 4 significant digits (not including trailing zeros), with a maximum of 5 digits before the decimal separator and 2 digits after the separator (that is, xxxxx.xx). Example calculated transfer sensitivity to non-standard ordering option code values: 51252 becomes C51250, 7553.7 becomes C7554, 5.4 becomes C5.4 and 0.826 becomes C0.83.
 - Ordering option code D specifies the units of the IPC707's transfer function, including use of the optional integrator required to produce a velocity output (D3 or D4).
 - Ordering option code E specifies the high-pass filter. For further information on permitted high-pass filter values (Ex), see High-pass filter (ordering option code E) on page 11. Ordering option code E is limited to a maximum of 3 significant digits (not including trailing zeros), with a maximum of 3 digits before the decimal separator and 1 digit after the separator (that is, xxx.x).
 - Ordering option code F specifies the low-pass filter. For further information on permitted low-pass filter values (Fx), see Low-pass filter (ordering option code F) on page 11. Ordering option code F is limited to a maximum of 3 significant digits (not including trailing zeros), with a maximum of 5 digits before the decimal separator and no digits after the separator (that is, xxxxx).
- Two spreadsheets are available to help specify IPC707 ordering numbers and ordering option codes: (1) *IPC707 ordering number/codes definition tool* and (2) *IPC704 to IPC707 ordering number/codes conversion tool*. Contact Parker Meggitt for further information.

ACCESSORIES

ABA17x Industrial housings
 MA130 Mounting adaptor

: Refer to the corresponding data sheet
 : See below

MA130 DIN-rail mounting adaptor



Ordering number (PNR): 809-130-000-021

Contact us:
 Unit 402, 4th floor, No. 42, Sharifi St., Jordan St., Tehran, Iran
 Tel: 0098-2188779847-Fax 0098-2188779514
 www.setc.ir-info@setc.ir
 Mob:00989123840728

Contact us:

*Unit 402, 4th floor, No. 42, Sharifi St., Jordan St., Tehran, Iran
Tel: 0098-2188779847-Fax 0098-2188779514
www.setc.ir-info@setc.ir
Mob:00989123840728*

Parker Hannifin Corporation – usually referred to as just Parker – is a global leader in motion and control technologies, providing precision-engineered solutions for a wide variety of mobile, industrial and aerospace markets. For more than a century the company has been enabling engineering breakthroughs that lead to a better tomorrow.

Parker Meggitt joined the Parker Aerospace Group in September 2022 following the successful acquisition of Meggitt PLC, a world leader in aerospace, defense and energy. This includes the Meggitt facility in Fribourg, Switzerland, operating as the legal entity Meggitt SA (formerly Vibro-Meter SA). Accordingly, the vibro-meter® product line is now owned by Parker.



All information in this document, such as descriptions, specifications, drawings, recommendations and other statements, is believed to be correct and reliable. Although given in good faith, the accuracy and/or completeness of such data is not guaranteed or legally binding on Parker Meggitt (Meggitt SA) and we reserve the right to alter any part of this document/publication without prior notice. Before acquiring and/or using this product, you should evaluate it and determine if it is suitable for your intended application. You should also check our website at www.meggittsensing.com/energy to ensure that the latest versions of documentation are being used. For example, data sheets, certificates, product drawings, user manuals, service bulletins and/or other instructions affecting the product.

Unless expressly agreed in writing with Parker Meggitt, you assume all risks and liability associated with use of the product. Any recommendations and advice given without charge, whilst given in good faith, are not legally binding. We take no responsibility for any statements related to the product which are not contained in a current Parker Meggitt publication, nor for any statements contained in extracts, summaries, translations or any other documents not authored and produced by us.

The certifications and warranties applicable to the products supplied by Parker Meggitt are valid only for new products purchased directly from us or an authorized distributor.

In this publication, a dot (.) is used as the decimal separator and thousands are separated by thin spaces. Example: 12345.67890.

Copyright © 2024 Parker Meggitt. All rights reserved.

Sales offices and distributors

Parker has sales offices and distributors all around the world. For information on your local contact, please visit our website.



Local representative

Parker Meggitt (Meggitt SA) office

Parker Meggitt,
Motion, Power & Sensing Division (MPSD).
Meggitt SA, Route de Moncor 4, Case postale,
1701 Fribourg, Switzerland.
www.meggittsensing.com/energy
www.meggitt.com
www.parker.com